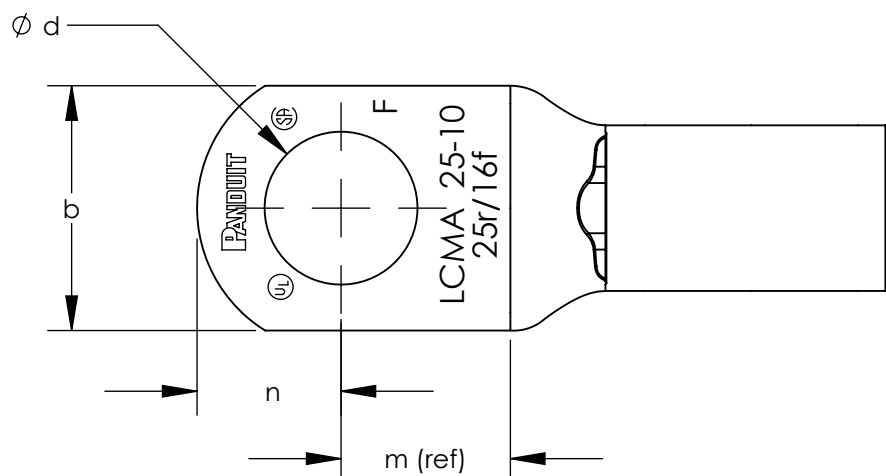


ALL DIMENSIONS ARE IN mm

Part Number	Class 2r Wire Size	Class 5f & 6f Wire Size	Stud Size	Wire Strip Length	Panduit Die Index No. For Class 2r Wire Circumferential Dies	Panduit Die Index No. For Class 5f & 6f Wire Circumferential Dies	Panduit Die Index No. For Class 5f & 6f Wire Nest/Indentor Dies	l±2.76	o±.50	i±.50	a±2.25	m(ref)	n±1.25	d±.50	b±1.25	t
LCMA6-5-C	4-6 mm ²	*4-6 mm ²	M5	11.0	P10	----	----	27.5	5.50	3.80	9.5	8.3	6.2	5.50	10.0	1.17 ± .30
LCMA6-6-C	4-6 mm ²	*4-6 mm ²	M6	11.0	P10	----	----	27.5	5.50	3.80	9.5	7.8	6.2	6.60	10.8	1.17 ± .30
LCMA6-8-C	4-6 mm ²	*4-6 mm ²	M8	11.0	P10	----	----	30.5	5.50	3.80	11.0	8.0	8.0	9.00	13.0	0.96 ± .30
LCMA10-5-C	10 mm ²	----	M5	12.5	P21	----	----	30.8	6.20	4.50	11.0	9.8	6.0	5.50	11.0	1.20 ± .35
LCMA10-6-C	10 mm ²	----	M6	12.5	P21	----	----	30.8	6.20	4.50	11.0	9.8	6.0	6.60	11.0	1.20 ± .35
LCMA10-8-C	10 mm ²	----	M8	12.5	P21	----	----	33.5	6.20	4.50	11.5	11.2	8.0	9.00	13.0	1.05 ± .35
LCMA10-10-C	10 mm ²	----	M10	12.5	P21	----	----	33.5	7.14	4.36	11.5	11.2	8.0	11.00	14.5	1.65 ± .35
LCMA16-5-C	16 mm ²	10 mm ²	M5	16.0	P21	P21	P29/1	34.5	7.20	5.50	14.5	10.3	6.5	5.50	13.0	1.26 ± .40
LCMA16-6-C	16 mm ²	10 mm ²	M6	16.0	P21	P21	P29/1	34.5	7.20	5.50	14.5	10.3	6.5	6.60	13.0	1.26 ± .40
LCMA16-8-C	16 mm ²	10 mm ²	M8	16.0	P21	P21	P29/1	34.5	7.20	5.50	14.5	10.3	6.5	9.00	13.0	1.20 ± .40
LCMA16-10-C	16 mm ²	10 mm ²	M10	16.0	P21	P21	P29/1	36.7	7.20	5.50	14.5	10.2	8.0	11.00	15.0	1.10 ± .40
LCMA25-6-C	25 mm ²	16 mm ²	M6	16.5	P29	P21	P29/1	37.0	8.80	6.90	15.0	10.0	8.0	6.60	14.0	1.60 ± .40
LCMA25-8-C	25 mm ²	16 mm ²	M8	16.5	P29	P21	P29/1	37.0	8.80	6.90	15.0	10.0	8.0	9.00	15.5	1.60 ± .40
LCMA25-10-C	25 mm ²	16 mm ²	M10	16.5	P29	P21	P29/1	37.0	8.80	6.90	15.0	10.0	8.0	11.00	15.5	1.50 ± .40

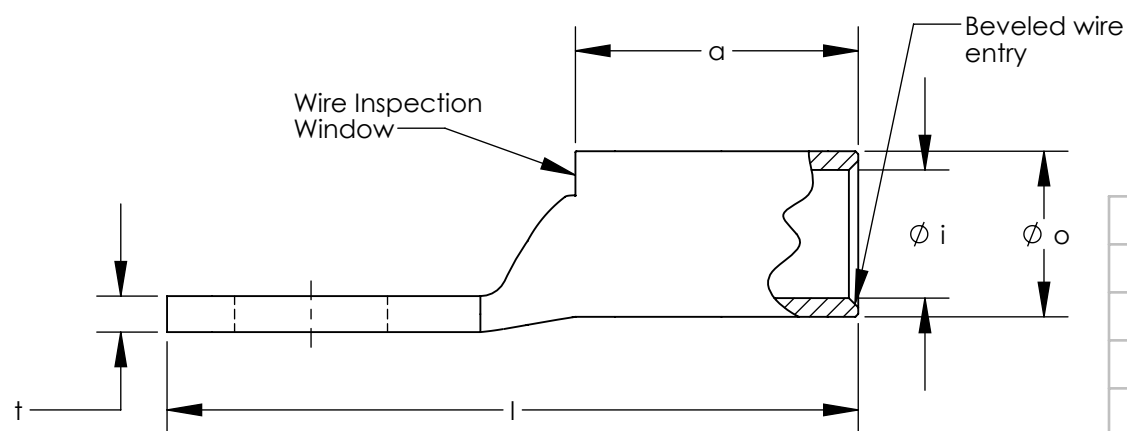
*4-6mm² Class 5f only



LISTED Wire Connector

CERTIFIED

- NOTES:
1. Material: High conductivity seamless copper tube.
 2. Plating: Parts are annealed and tin plated.
 3. Wire Type: Class 2r, 5f & 6f Stranded Copper per DIN VDE 0295, IEC 60228 and HD 383.
 4. UL Listed Wire Connector: Yes, for applications up to 35kv. Consult cable manufacturer for voltage stress relief instructions with applications greater than 2000 volts.
 5. UL Temperature Rating: 90 ° C
 6. C.S.A. Certified Wire Connector: Yes
 7. Parts are CE and tested per EN 61238-1:2003/IEC 61238-1:2003 Class B, with Class 2r wire 4mm² - 25mm².



REV	DATE	BY	CHK	APR	DESCRIPTION	ECN
01	6/14	JHNU	TLCO	RGB	REVISED I DIM: LCMA10-8,LCMA10-10 WAS 30.8 REVISED m DIM: LCMA6-5 WAS 7.8, LCMA10-8, LCMA10-10 WAS 8.5	13J059BE-JC
00	4/14	JHNU	TLCO	RGB	DRAWING RELEASED	

TITLE		METRIC LUGS - LCMA ONE HOLE SERIES 6-25mm STANDARD BARREL CUSTOMER DRAWING		
ITEM REVISION NAME	12J059BE/01			
DATASET FILE NAME	12J059BE-JC/01.SLDDRW			
UNLESS OTHERWISE SPECIFIED, DIMENSIONAL TOLERANCES ARE: IN [mm]		THIRD ANGLE PROJECTION		
.X ±	.XXX ±			
.XX ±		DRAWING NUMBER 12J059BE-JC		
DRAWN BY	DATE	CHK	SCALE	SHEET 1 OF 1
JHNU	4/14	TLCO	NONE	SIZE B