

**Model 73035
MMCX PLUG STRAIGHT SEMI-RIGID, RG405**



Model 73035 MMCX PLUG STRAIGHT SEMI-RIGID, RG405

Snap-on coupling and micro-miniature size for fast connect and disconnect where space is limited

Features

- DC - 6 GHz bandwidth.
- 50% smaller than MCX connectors.
- Connectors allow rotation of 360° for layout flexibility.
- Non-slotted contact design for low RF leakage.
- Meets CECC 22340.
- Perfect for applications where space, weight, performance and ease of assembly are required.

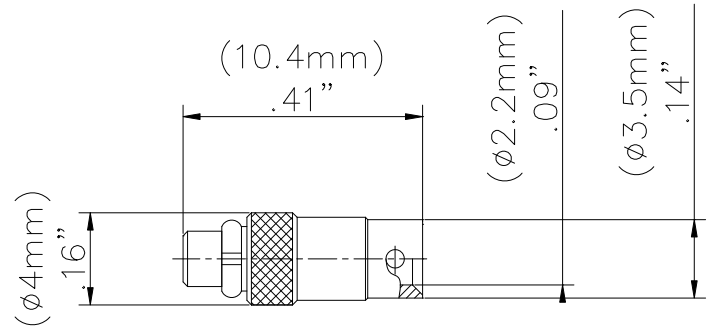
Materials

- Body is machined brass with gold plating.
- Center contacts – Plug is gold plated Phosphor bronze and Jack is gold plated beryllium copper.
- High quality PTFE insulators.
- Crimp Ferrules are gold or nickel plated copper.

Ordering Information

Model: 73035
Description: MMCX PLUG STRAIGHT SEMI-RIGID, RG405

USA: Sales: 800-490-2361
Technical Support: technicalsupport@pomonatest.com
Fax: 425-446-5844
Europe: 31-(0) 40 2675 150 **International:** 425-446-5500
Where to Buy: www.pomonaelectronics.com



Specifications

| | |
|-----------------------------------|------------------------------------|
| Impedance | 50 Ω |
| Frequency Range | DC - 6 GHz |
| Working Voltage | 170 Vrms max. |
| Dielectric Withstanding Voltage | 500 Vrms |
| VSWR | 1.35 max. |
| Center / Outer contact resistance | 0.01 / 0.005 Ω |
| Number of insertions | 500 cycles minimum |
| Insulation resistance | > 500 MΩ |
| Temperature Range | -55° C to 155° C, -67° F to 311° F |

All dimensions are in inches. Tolerances (except noted): .xx = ±.02" (.51 mm), .xxx = ±.005" (.127 mm). All specifications are to the latest revisions. Specifications are subject to change without notice. Registered trademarks are the property of their respective companies.
D2003465 REV 001

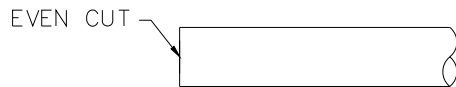
**Model 73035
MMCX PLUG STRAIGHT SEMI-RIGID, RG405**

Cable Types and Crimp Die Information

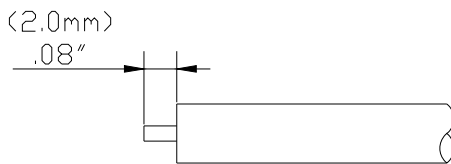
| Connector Model # | Cable Groups | Crimp Die Cavity Size for Outer Ferrule |
|-------------------|--------------|---|
| 73035 | RG405 | .105 (2.67) |

Cable Assembly Instructions

1. CUT CABLE END EVENLY AND PERPENDICULAR

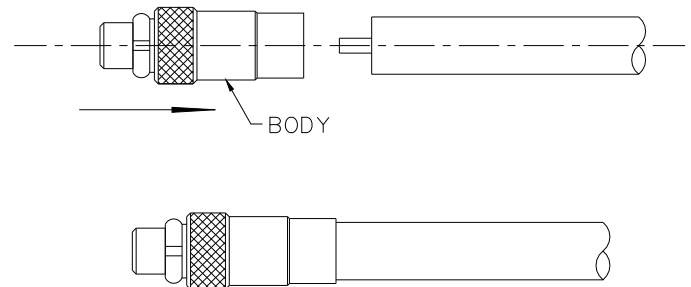


2. STRIP CABLE JACKET, BRAID, AND DIELECTRIC TO SPECIFICATION LENGTHS.



RECOMMENDED STRIP LENGTHS

3. SLIDE CONNECTOR BODY OVER CENTER CONDUCTOR AND CABLE JACKET.



USA: Sales: 800-490-2361
 Technical Support: technicalsupport@pomonatest.com
 Fax: 425-446-5844
Europe: 31-(0) 40 2675 150 **International:** 425-446-5500
Where to Buy: www.pomonaelectronics.com

All dimensions are in inches. Tolerances (except noted): .xx = $\pm .02''$ (.51 mm), .xxx = $\pm .005''$ (.127 mm). All specifications are to the latest revisions. Specifications are subject to change without notice. Registered trademarks are the property of their respective companies.
 D2003465 REV 001